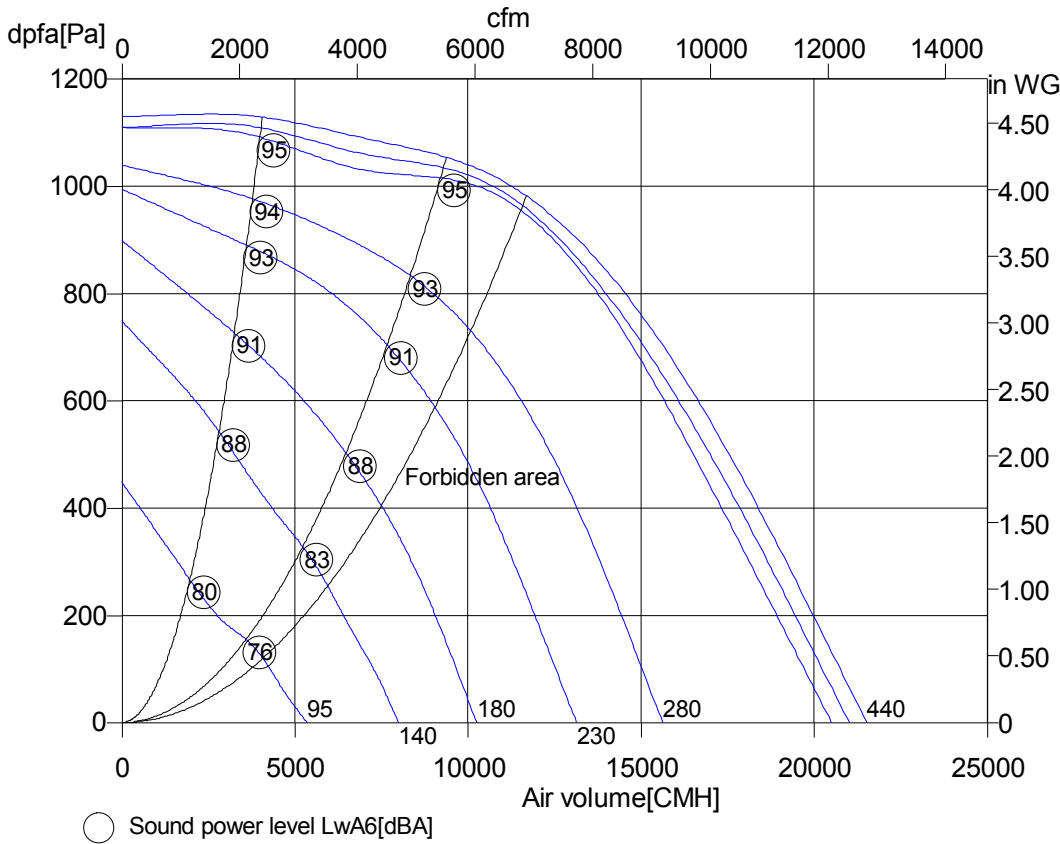




Centrifugal fans with forward curved impellers double inlet

ErP

Product is available outside the EU



DRAD 400-4 IP54

Art. No.	C10-40004
U[V]	400 D
f[Hz]	50
P[kW]	8.2
I[A]	14.5
n[1/min]	1360
C[μF]	-
tR[°C]	40
dpst[Pa]	950
Delta I[%]	13
la/ln	-
IP	54
Weight[kG]	104
Wir. diagr.	01.006

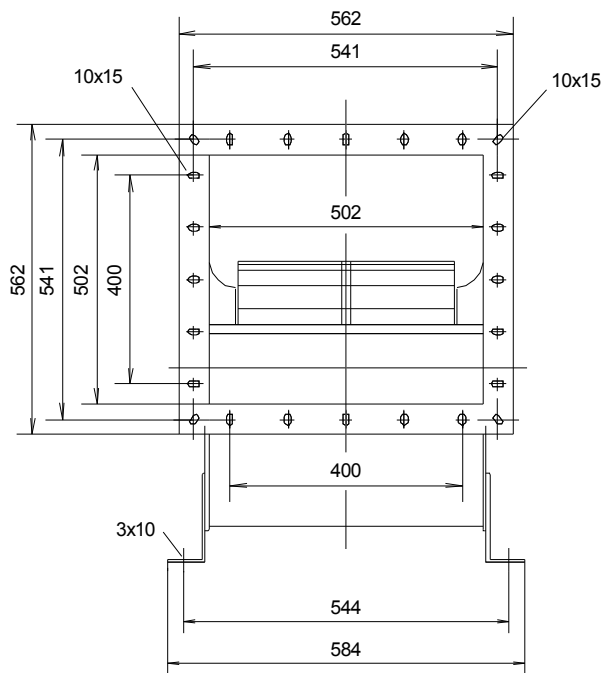
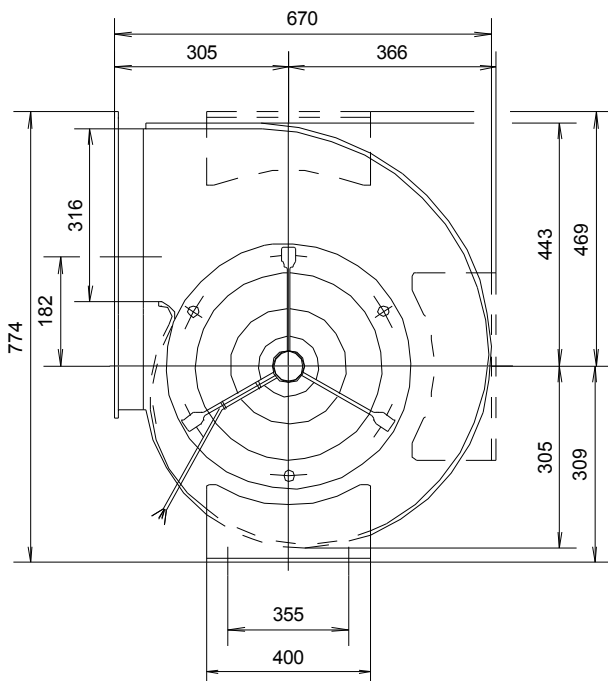
Octave sound power level

f[Hz]	125	250	500	1000	2000	4000	8000
LwA6[dBA]:	-21	-13	-8	-4	-7	-8	-15
LwA5[dBA]:	-21	-16	-13	-8	-7	-13	-19



Centrifugal fans
 with forward curved impellers
 double inlet

DRAD 400-4 IP54



Pos.	Pieces	Description	Price																														
		<p>Centrifugal fans with forward curved impellers, Types ERA.../ DRA...</p> <p>Single and double inlet casings, made from galvanized steel, with spiral scroll. Im-pellers with forward curved blades made from galvanized steel, mounted onto the rotor of a speed controllable external rotor motor. The fan is balanced on two levels according to quality Glass G 2.5, DIN/ISO 1940.</p> <p>Closed motor, protection Glass IP 44/54 with protection against humidity and thermal contacts for motor protection. Maintenance free ball bearings, closed on both sides, sealed for life. Electrical connection through terminal box (not connected) in IP 44.</p> <p>Reference to Directives: Declaration of incorporation and operating instruction are according to Machinery Directive 2006/42/EC, CE identification in accordance to EMC-Directive 2014/30/EU, Low Voltage Directive 2014/35/EU and the Ecodesign-Directive 2009/125/EC.</p> <p>Nominal data</p> <table border="0"> <tr> <td>Type</td> <td>DRAD 400-4 IP54</td> </tr> <tr> <td>Article no.</td> <td>C10-40004</td> </tr> <tr> <td>Voltage[V]</td> <td>400 D</td> </tr> <tr> <td>Frequency[Hz]</td> <td>50</td> </tr> <tr> <td>Power P1[kW]</td> <td>8.2</td> </tr> <tr> <td>Current I[A]</td> <td>14.5</td> </tr> <tr> <td>Speed n[1/min]</td> <td>1360</td> </tr> <tr> <td>Capacitor C[µF]</td> <td>-</td> </tr> <tr> <td>Max. air temp.tR[°C]</td> <td>40</td> </tr> <tr> <td>Min. pressure dpst[Pa]</td> <td>950</td> </tr> <tr> <td>Delta I[%]</td> <td>13</td> </tr> <tr> <td>Startup current Ia/In</td> <td>-</td> </tr> <tr> <td>Protection-mode</td> <td>IP 54</td> </tr> <tr> <td>Weight[kg]</td> <td>104</td> </tr> <tr> <td>wiring diagram</td> <td>01.006</td> </tr> </table> <p style="text-align: right;"><small>Medtrading Groothandel BV - 0031-(0)418 56 11 53 - info@medtrading.nl</small></p>	Type	DRAD 400-4 IP54	Article no.	C10-40004	Voltage[V]	400 D	Frequency[Hz]	50	Power P1[kW]	8.2	Current I[A]	14.5	Speed n[1/min]	1360	Capacitor C[µF]	-	Max. air temp.tR[°C]	40	Min. pressure dpst[Pa]	950	Delta I[%]	13	Startup current Ia/In	-	Protection-mode	IP 54	Weight[kg]	104	wiring diagram	01.006	
Type	DRAD 400-4 IP54																																
Article no.	C10-40004																																
Voltage[V]	400 D																																
Frequency[Hz]	50																																
Power P1[kW]	8.2																																
Current I[A]	14.5																																
Speed n[1/min]	1360																																
Capacitor C[µF]	-																																
Max. air temp.tR[°C]	40																																
Min. pressure dpst[Pa]	950																																
Delta I[%]	13																																
Startup current Ia/In	-																																
Protection-mode	IP 54																																
Weight[kg]	104																																
wiring diagram	01.006																																



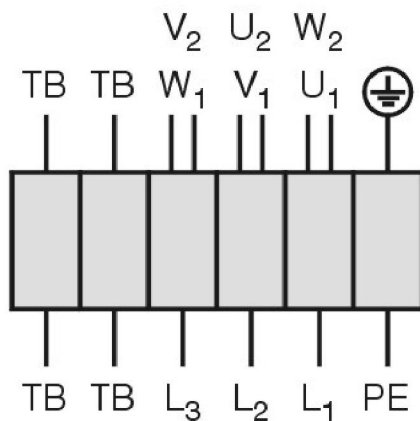
Centrifugal fans
 with forward curved impellers
 double inlet

DRAD 400-4 IP54

Drehstrommotor in Δ -Schaltung mit Thermostatschalter (TB).
Drehrichtungsänderung durch Vertauschen von 2 Phasen.

Three phase motor in delta connection with thermostatic switch (TB). Changing of rotation direction by interchanging of 2 phases.

Moteur triphasé branché en triangle avec interrupteur thermostatique (TB). Changement de sens de rotation par inversion de deux phases.



01.006

U ₁	braun / brown / brun
V ₁	blau / blue / bleu
W ₁	schwarz / black / noir
U ₂	rot / red / rouge
V ₂	grau / grey / gris
W ₂	orange / orange / orange
TB	weiß / white / blanc
PE	gelb-grün yellow-green jaune-vert

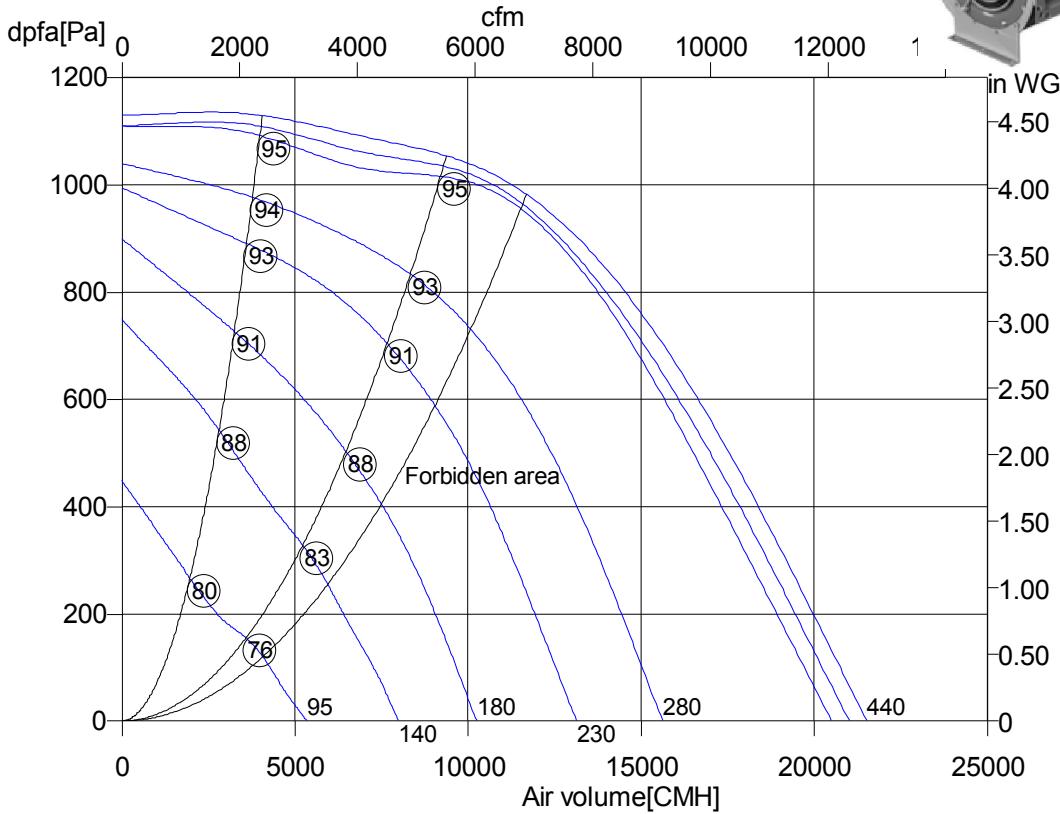
TK3-20004

Centrifugal fans with forward curved impellers double inlet



ErP

Product is available
outside the EU



DRAD 400-4 IP54	
Art. No.	C10-40004
U[V]	400 D
f[Hz]	50
P[kW]	8.2
I[A]	14.5
n[1/min]	1360
C[μF]	-
tR[°C]	40
dpst[Pa]	950
Delta I[%]	13
la/ln	-
IP	54
Weight[kG]	104
Wir. diag.	01.006

○ Sound power level
LwA6[dBA]

