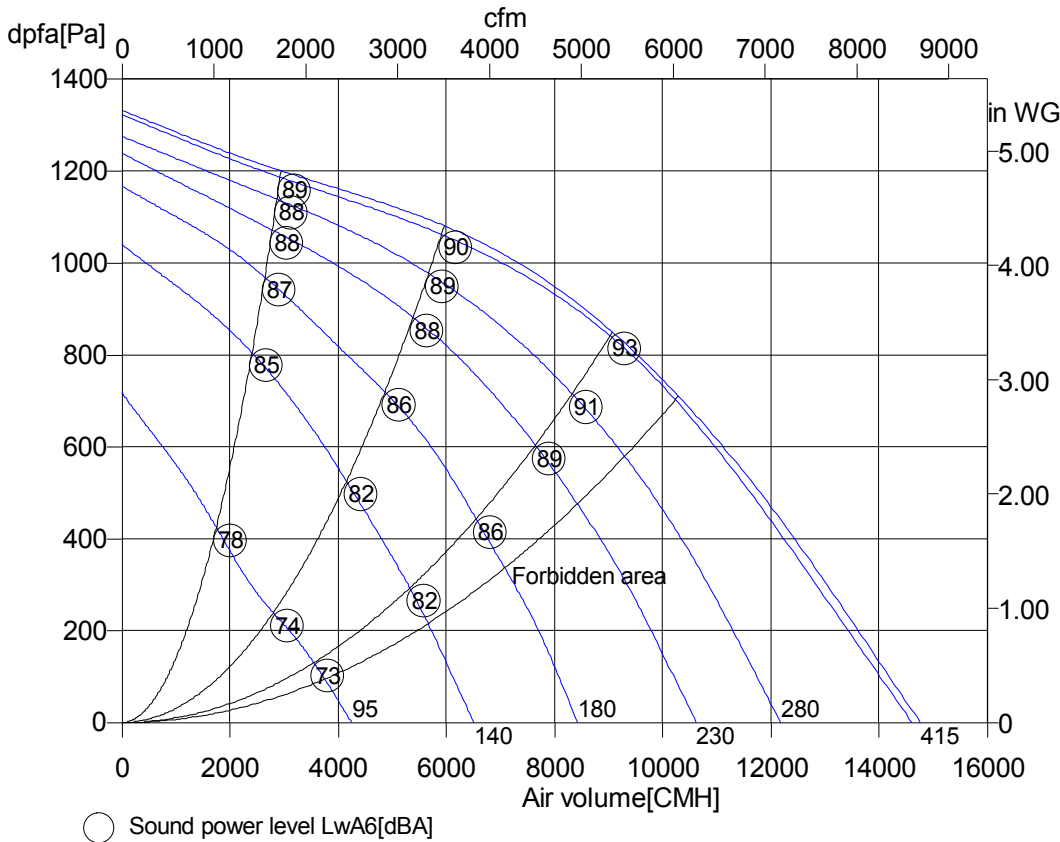


Sunday, 27.November 2016



Centrifugal fans with slippage characteristics double inlet



DRAD 399-4.7UA

Art. No.	C00-39944
U[V]	400 D
f[Hz]	50
P[kW]	6.60
I[A]	11.75
n[1/min]	1380
C[μF]	-
tR[°C]	40
dpst[Pa]	700
Delta I[%]	23
la/ln	4.5
IP	54
Weight[kG]	85
Wir. diagr.	01.006
Overall eff [%]	44.4
Eff. Grade N	47
Power input [kW]	3.50
Air flow [m ³ /h]	5083
Press. [Pa]	1099
Speed [1/min]	1442
Velocity [m/s]	13.3

Octave sound power level

f[Hz]	125	250	500	1000	2000	4000	8000
LwA6[dBA]:	-23	-15	-9	-4	-6	-8	-15
LwA5[dBA]:	-24	-19	-15	-8	-9	-13	-18

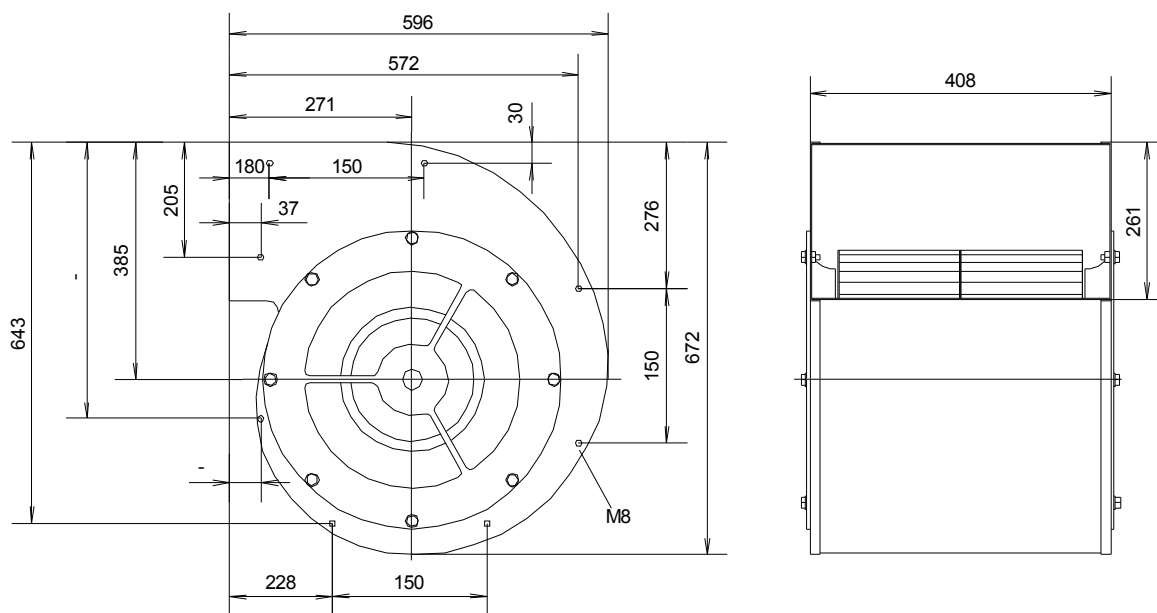
Hint: Not controllable by electronic device

Sunday, 27.November 2016



**Centrifugal fans
with slippage characteristics
double inlet**

DRAD 399-4.7UA



Sunday, 27.November 2016

Pos.	Pieces	Description	Price																														
		<p>Centrifugal fans with forward curved impellers and slippage characteristics, Types ERA.../ DRA...</p> <p>Single and double inlet casings, made from galvanized steel, with spiral scroll. Impellers with forward curved blades made from galvanized steel, mounted onto the rotor of a speed controllable external rotor motor. The fan is balanced on two levels according to quality class G 2.5, DIN/ISO 1940.</p> <p>Closed motor, protection class IP 44/54 with protection against humidity and thermal contacts for motor protection. Maintenance free ball bearings, closed on both sides, sealed for life. Electrical connection through terminal box (not connected) in IP 44.</p> <p>Reference to Directives: Declaration of incorporation and operating instruction are according to Machinery Directive 2006/42/EC, CE identification in accordance to EMC-Directive 2014/30/EU, Low Voltage Directive 2014/35/EU and the Ecodesign-Directive 2009/125/EC.</p> <p>Nominal data</p> <table> <tr> <td>Type</td> <td>DRAD 399-4.7UA</td> </tr> <tr> <td>Article no.</td> <td>C00-39944</td> </tr> <tr> <td>Voltage[V]</td> <td>400 D</td> </tr> <tr> <td>Frequency[Hz]</td> <td>50</td> </tr> <tr> <td>Power P1[kW]</td> <td>6.60</td> </tr> <tr> <td>Current I[A]</td> <td>11.75</td> </tr> <tr> <td>Speed n[1/min]</td> <td>1380</td> </tr> <tr> <td>Capacitor C[µF]</td> <td>-</td> </tr> <tr> <td>Max. air temp.tR[°C]</td> <td>40</td> </tr> <tr> <td>Min. pressure dpst[Pa]</td> <td>700</td> </tr> <tr> <td>Delta I[%]</td> <td>23</td> </tr> <tr> <td>Startup current Ia/In</td> <td>4.5</td> </tr> <tr> <td>Protection-mode</td> <td>IP 54</td> </tr> <tr> <td>Weight[kg]</td> <td>85</td> </tr> <tr> <td>wiring diagram</td> <td>01.006</td> </tr> </table> <p style="text-align: right;">Medtrading Groothandel BV - 0031(0)418 56 11 53 info@medtrading.nl</p>	Type	DRAD 399-4.7UA	Article no.	C00-39944	Voltage[V]	400 D	Frequency[Hz]	50	Power P1[kW]	6.60	Current I[A]	11.75	Speed n[1/min]	1380	Capacitor C[µF]	-	Max. air temp.tR[°C]	40	Min. pressure dpst[Pa]	700	Delta I[%]	23	Startup current Ia/In	4.5	Protection-mode	IP 54	Weight[kg]	85	wiring diagram	01.006	
Type	DRAD 399-4.7UA																																
Article no.	C00-39944																																
Voltage[V]	400 D																																
Frequency[Hz]	50																																
Power P1[kW]	6.60																																
Current I[A]	11.75																																
Speed n[1/min]	1380																																
Capacitor C[µF]	-																																
Max. air temp.tR[°C]	40																																
Min. pressure dpst[Pa]	700																																
Delta I[%]	23																																
Startup current Ia/In	4.5																																
Protection-mode	IP 54																																
Weight[kg]	85																																
wiring diagram	01.006																																

Sunday, 27.November 2016



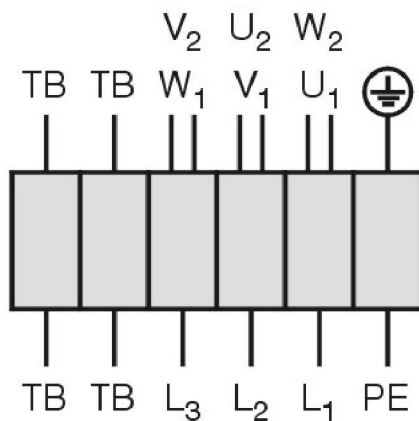
Centrifugal fans
 with slippage characteristics
 double inlet

DRAD 399-4.7UA

Drehstrommotor in Δ -Schaltung mit Thermostatschalter (TB).
 Drehrichtungsänderung durch Vertauschen von 2 Phasen.

Three phase motor in delta connection with thermostatic switch (TB). Changing of rotation direction by interchanging of 2 phases.

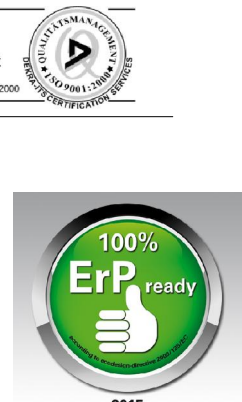
Moteur triphasé branché en triangle avec interrupteur thermostatique (TB). Changement de sens de rotation par inversion de deux phases.



U ₁	braun / brown / brun
V ₁	blau / blue / bleu
W ₁	schwarz / black / noir
U ₂	rot / red / rouge
V ₂	grau / grey / gris
W ₂	orange / orange / orange
TB	weiß / white / blanc
PE	gelb-grün yellow-green jaune-vert

01.006

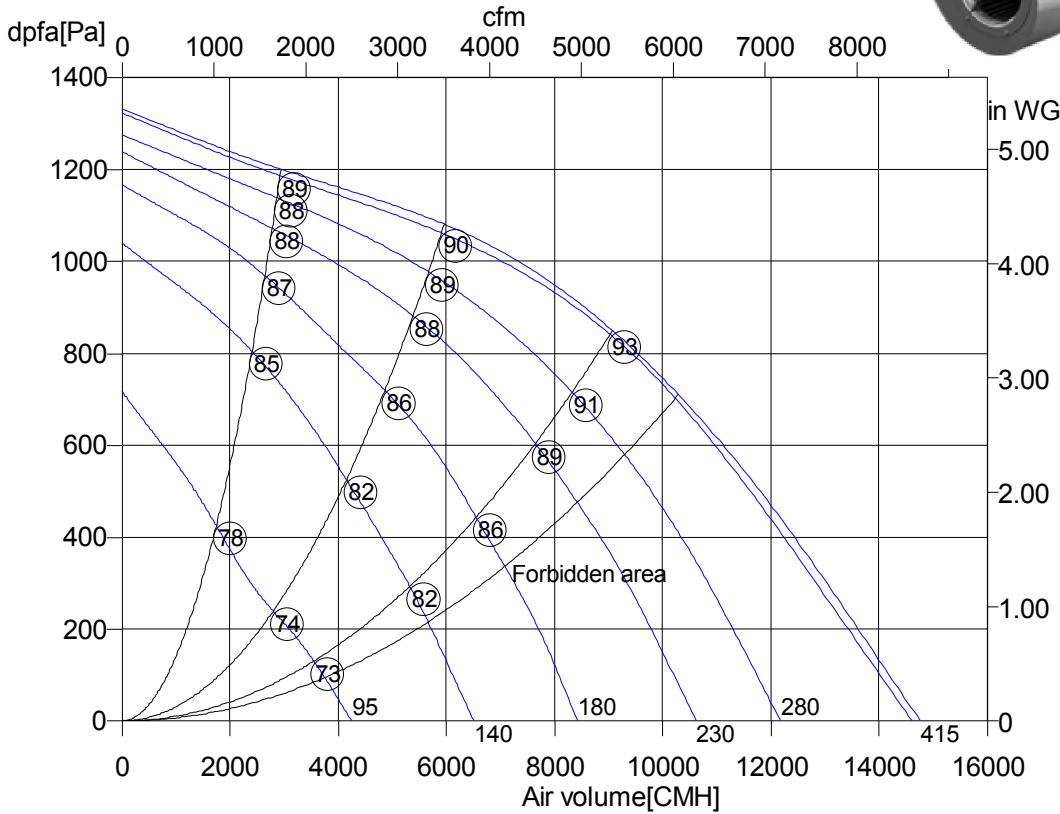
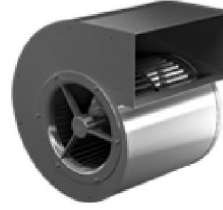
TK3-20004



Sunday, 27.November 2016

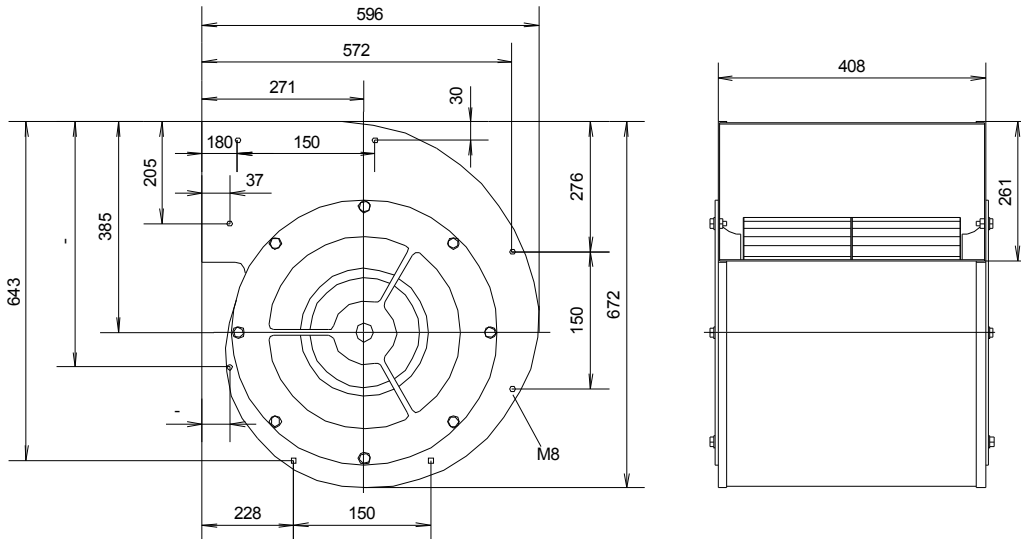
Centrifugal fans

with slippage characteristics double inlet



DRAD 399-4.7UA	
Art. No.	C00-39944
U[V]	400 D
f[Hz]	50
P[kW]	6.60
I[A]	11.75
n[1/min]	1380
C[μF]	-
tR[°C]	40
dpst[Pa]	700
Delta I[%]	23
Ia/In	4.5
IP	54
Weight[kG]	85
Wir. diagr.	01.006

○ Sound power level
LwA6[dBA]



Hint: Not controllable by electronic device